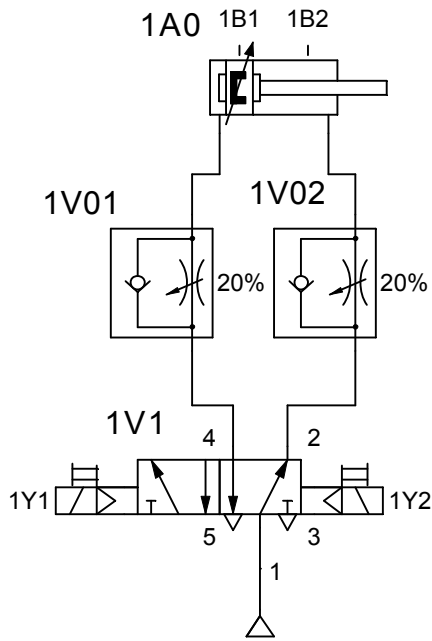


Uloha cistení pracovních dílu



Designation	Description
1A0	Double acting cylinder
	Distance rule
1V1	5/2-way solenoid impulse valve
1V01	One-way flow control valve
1V02	One-way flow control valve
	Compressed air supply
	Electrical connection 24V
	Electrical connection 0V
1B1	Magnetic proximity switch
1B2	Magnetic proximity switch
K1	Relay
K2	Relay
S1	Pushbutton (make)
K3	Relay
K3	Make switch
K1	Make switch
1Y1	Valve solenoid
1Y2	Valve solenoid
K2	Make switch
K4	Relay with switch-off delay
K4	Make switch

